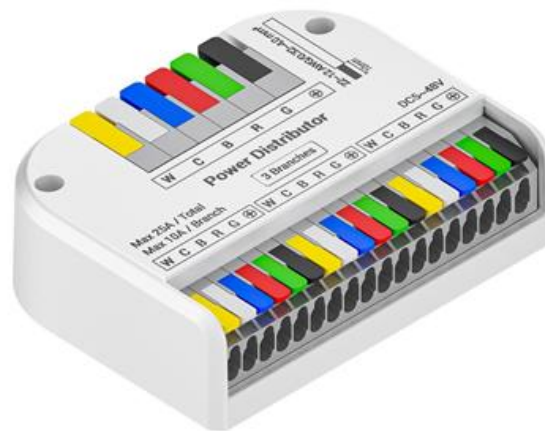


# SPECIFICATION

## HPD Series High Power Distribution Box



### Basic Info

|                               |                                   |
|-------------------------------|-----------------------------------|
| Product Series                | HPD                               |
| Connection Type               | Poke -in push terminal Connection |
| With Wire or Not              | No Wire                           |
| Certification and Test Report | CE, RoHS                          |

| Model Number | Fit LED Channels/ Colour | Output Branches      |
|--------------|--------------------------|----------------------|
| HPD-MONO-19  | MONO (2 Pins)            | 1 input to 9 outputs |
| HPD-CCT-16   | CCT (3 Pins)             | 1 input to 6 outputs |
| HPD-RGB-14   | RGB (4 Pins)             | 1 input to 4 outputs |
| HPD-RGBW-13  | RGBW (5 Pins)            | 1 input to 3 outputs |
| HPD-RGBCW-13 | RGBCW (6 Pins)           | 1 input to 3 outputs |

## Physical Data

|              |                       |
|--------------|-----------------------|
| Shape        | Rounded Corner Square |
| Size         | 69*53*20 mm           |
| Input Holes  | 2~6 holes optional    |
| Output Holes | 18 holes              |

## Material Data

|                                |                 |
|--------------------------------|-----------------|
| Housing Colour                 | White           |
| Material                       | PC, PVC, Copper |
| Housing Temperature Resistance | 80°C            |

## Electrical Data

|                                 |          |
|---------------------------------|----------|
| Voltage                         | DC5~48V  |
| Maximum Current                 | 25A      |
| Maximum Current per Output Port | 10A      |
| Circuit Connection              | Parallel |

## Port Parameters

|        |          |
|--------|----------|
| Input  | 22~12AWG |
| Output | 24~16AWG |

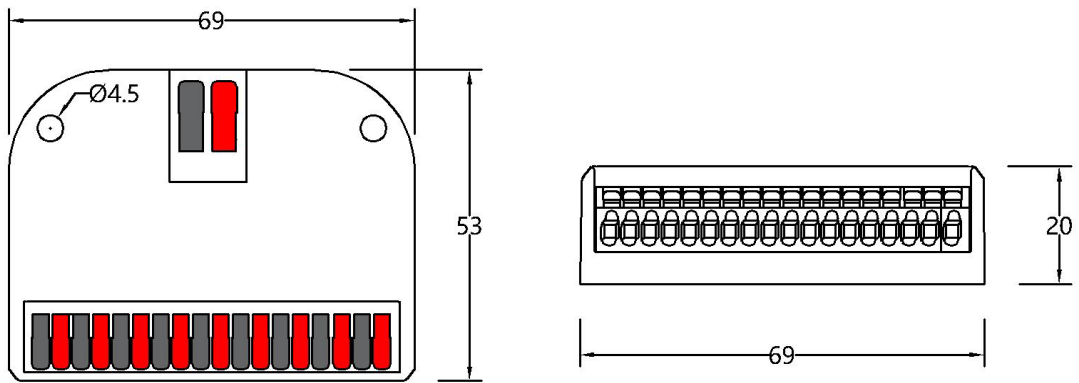
## Working Environment

|                   |            |
|-------------------|------------|
| Environment Temp. | -10 ~ 45°C |
| Environment       | Indoor     |

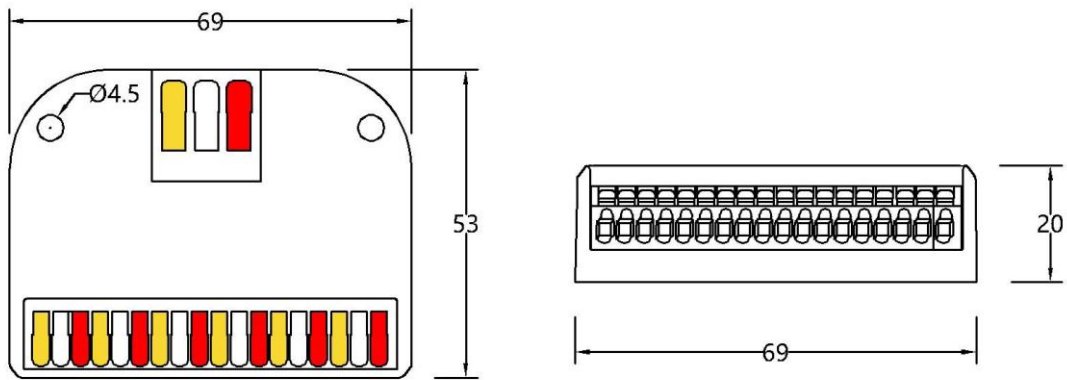


## Dimensions

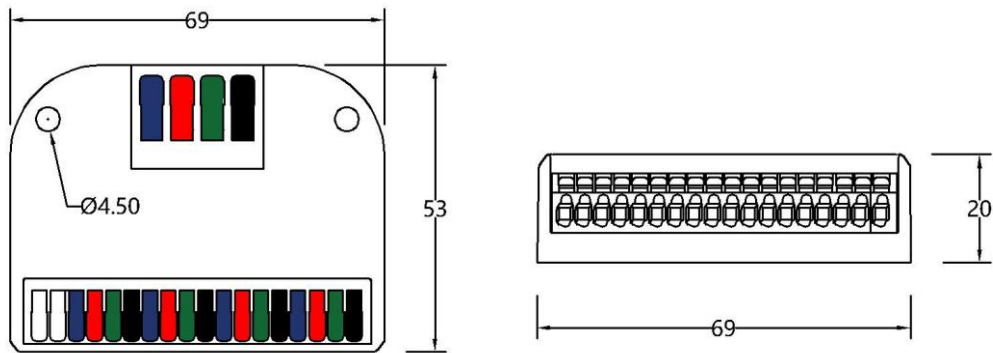
Item NO.: HPD-MONO-19



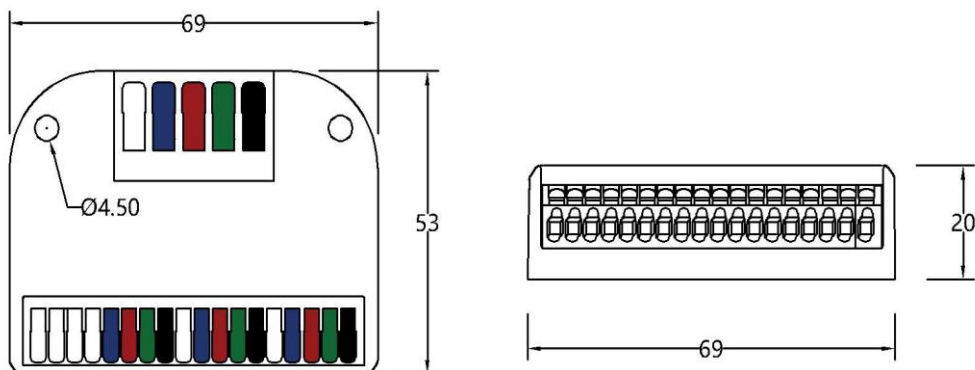
Item NO.: HPD-CCT-16



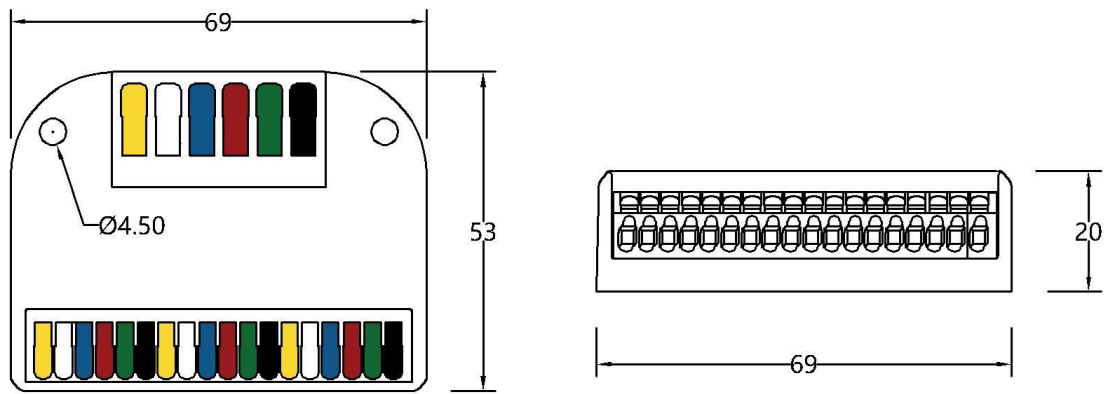
Item NO.: HPD-RGB-14



HPD-RGBW-13 HPD-RGBW-13



Item NO.: HPD-RGBCW-13



Unit: mm

**Tolerance(mm)**

| Size Range     | Tolerance  |
|----------------|------------|
| $\leq 3$       | $\pm 0.10$ |
| $> 3 \leq 10$  | $\pm 0.15$ |
| $> 10 \leq 20$ | $\pm 0.20$ |
| $> 20$         | $\pm 0.25$ |